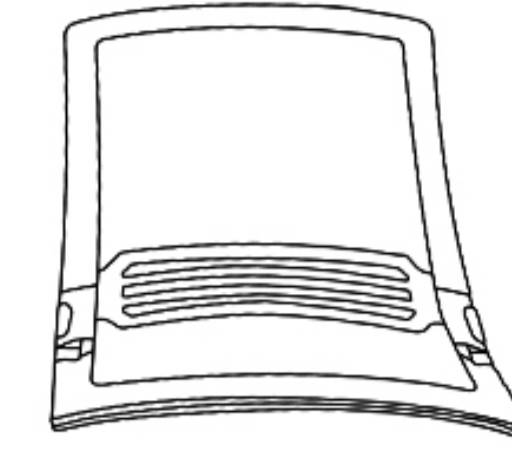


ASSEMBLY INSTRUCTIONS

A. Backrest x 1



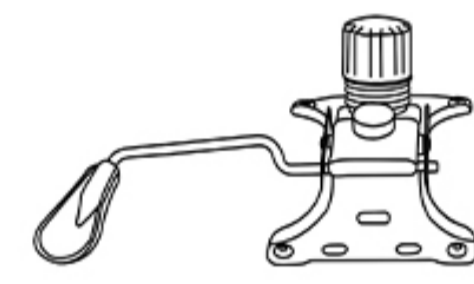
B. Seat cushion x 1



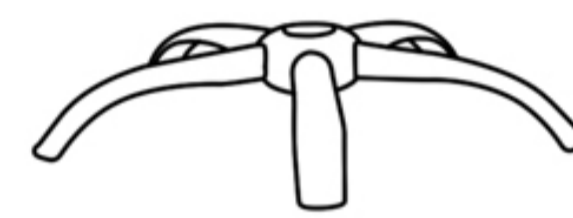
C. Armrests x 2



D. Salver x 1



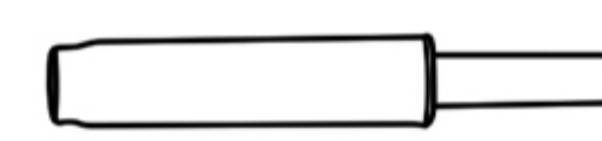
E. Base x 1



F. Wheels x 5



G. Gaslift x 1



H. Screws x 6 (M6 x 25)



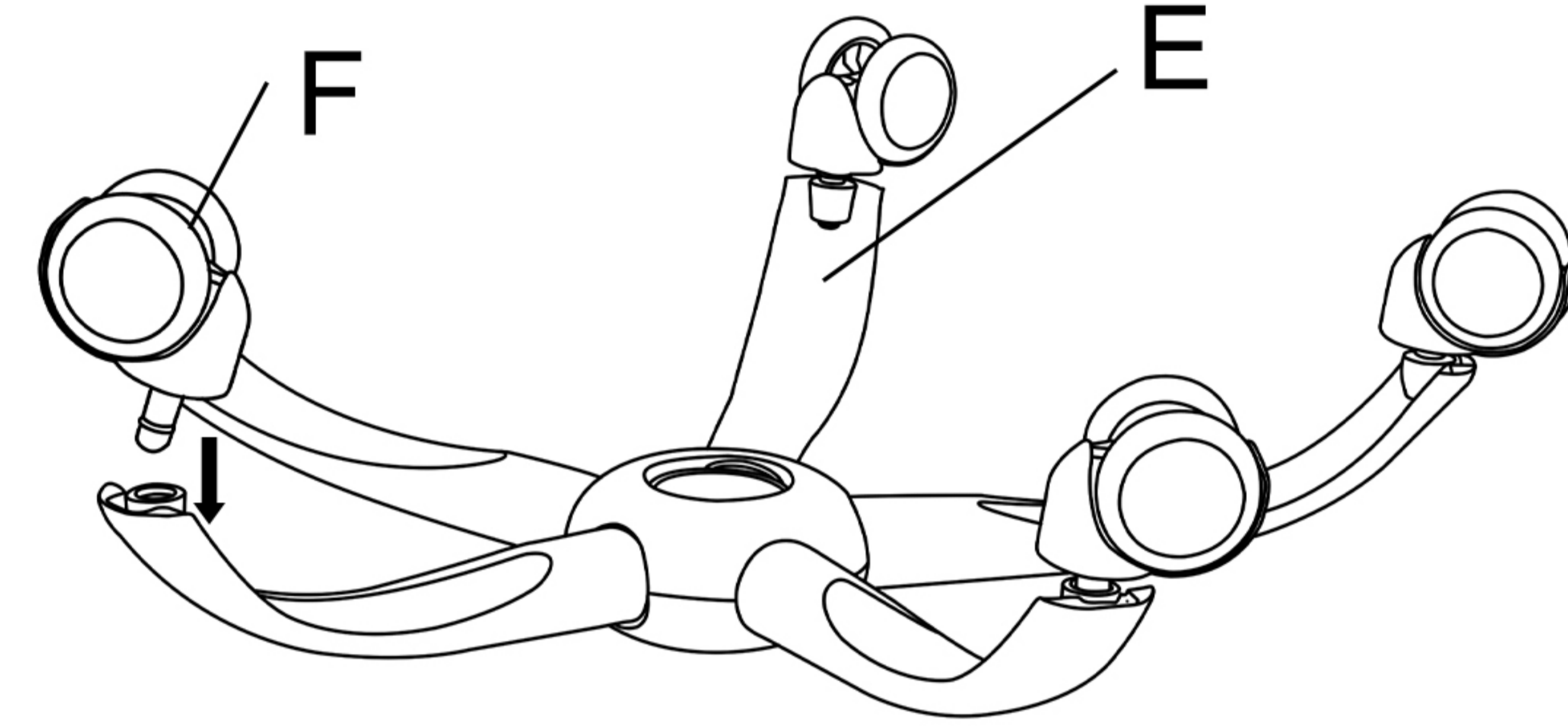
I. Screws x 4 (M6 x 20)



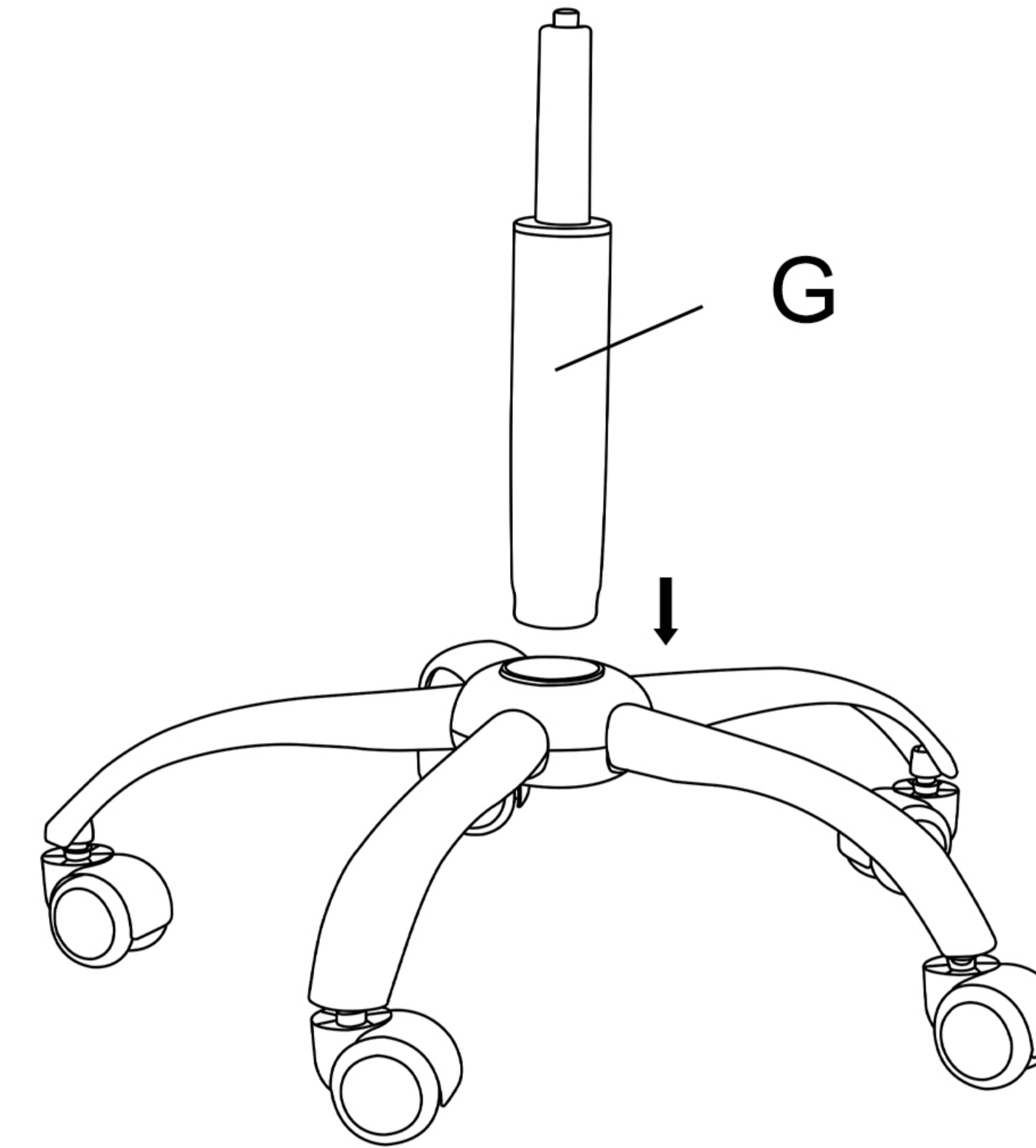
J. Flat washers x 8 (M8 x 17)



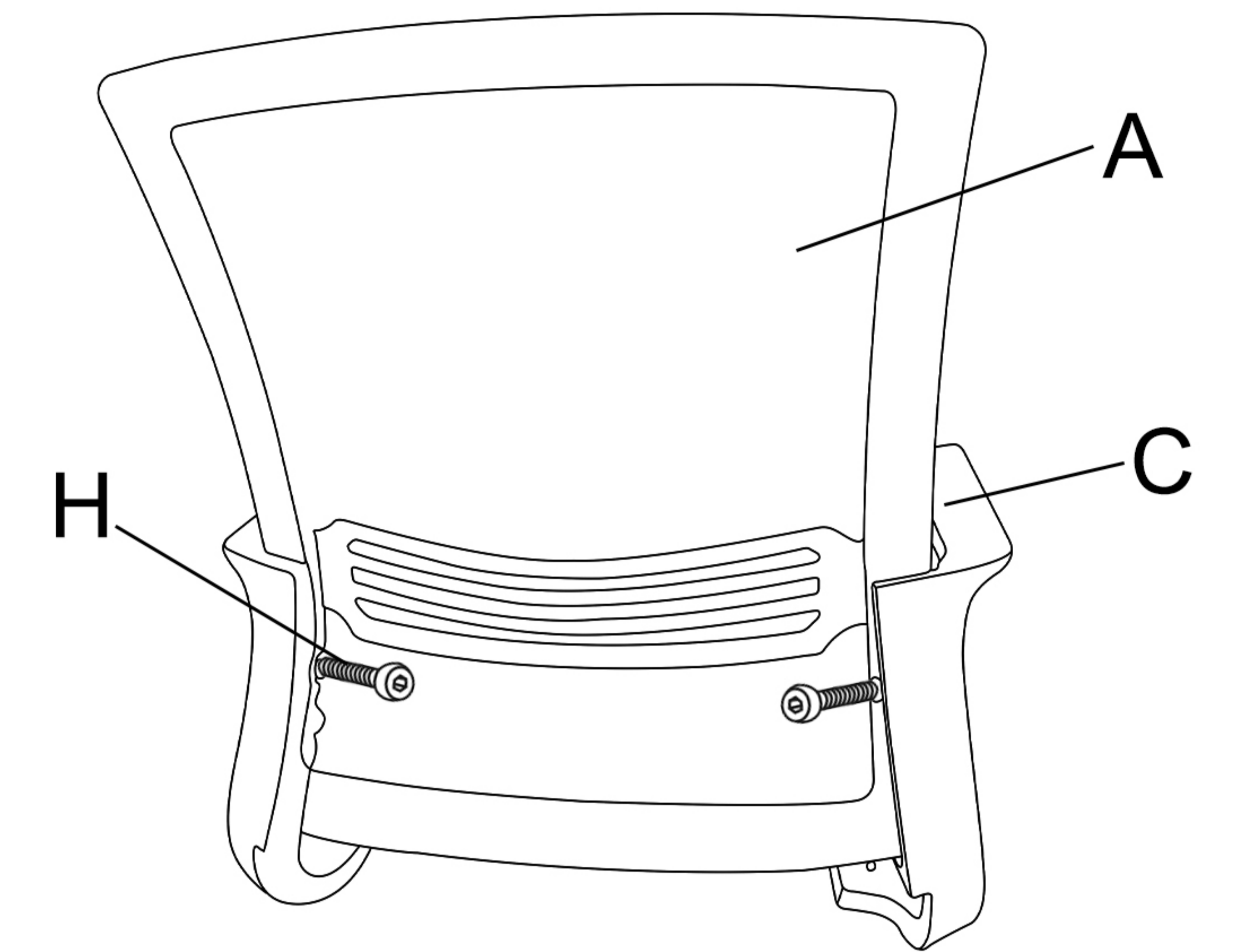
K. Hex key x 1



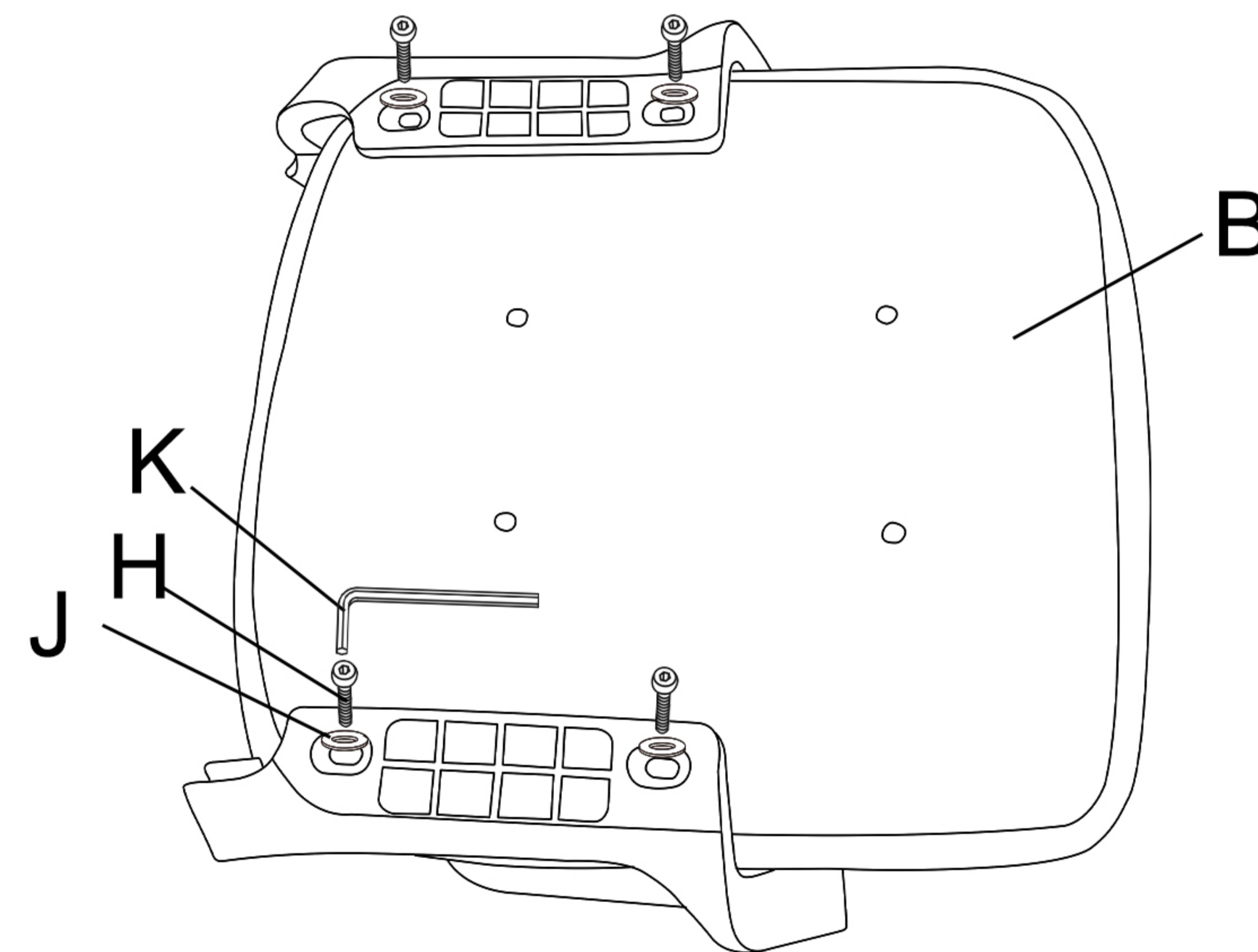
1



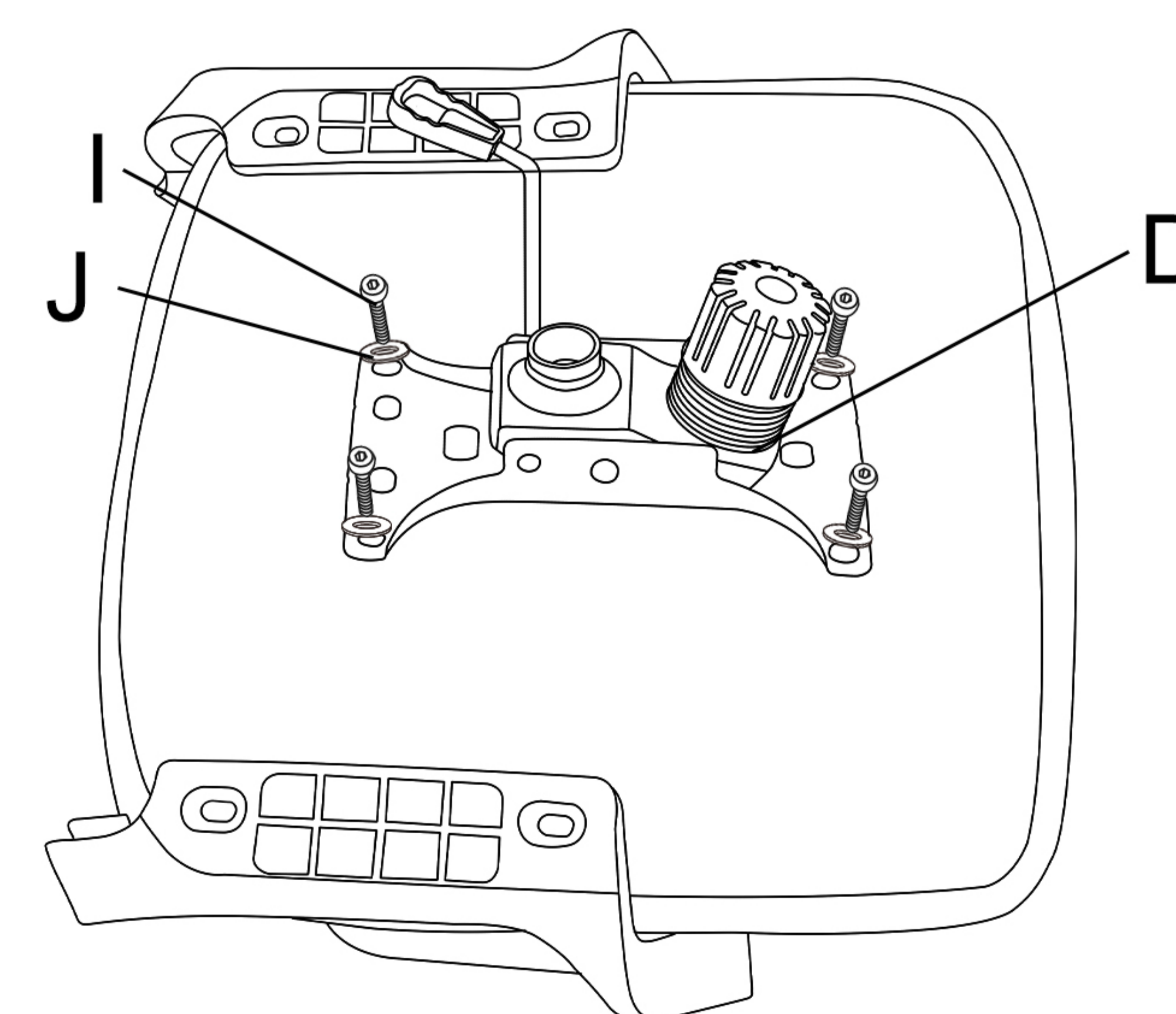
2



3



4



5



6

Remark: First fix screws lightly by hand and at the end of the assembly fasten the screws firmly with tools.